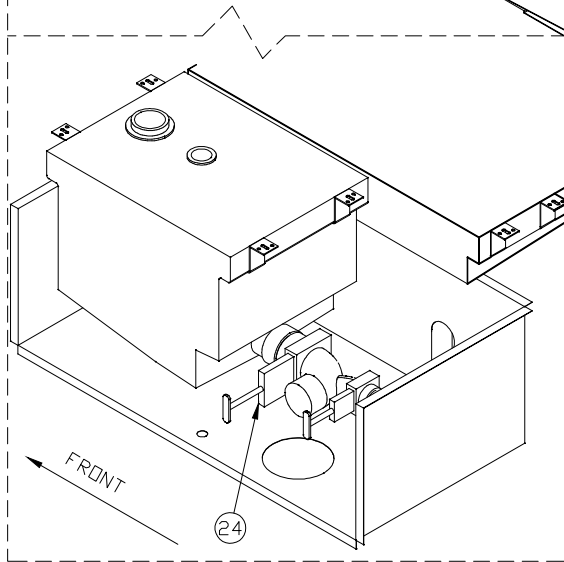
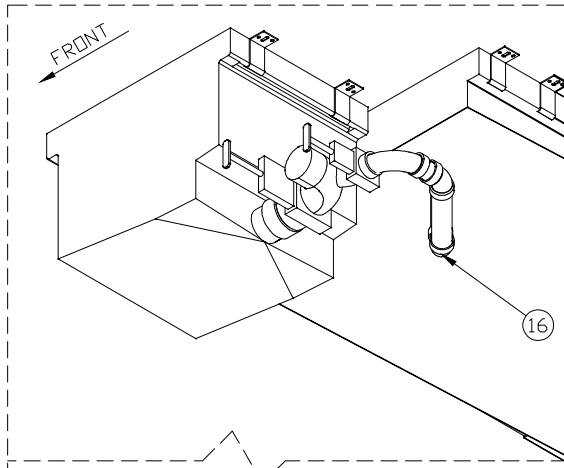
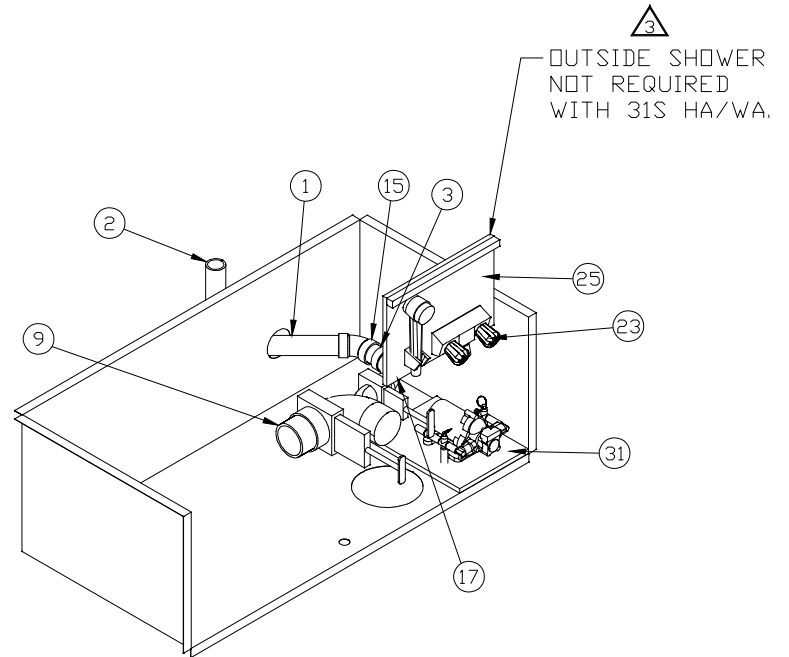


VIEW FROM BOTTOM (TRUNK BOX NOT SHOWN)



VIEW RIGHT SIDE

NO	QTY	DESCRIPTION (W x H GRAIN DIRECTION)	SIZE	x	SIZE	EXTENDED	U/M
1	1	1 1/2" ABS PIPE			9	0.75	LF
2	1	1 1/2" ABS PIPE			6	0.50	LF
3	1	1 1/2" ABS PIPE			2	0.17	LF
						1.42	LF
9	1	3" ABS PIPE			3	0.25	LF
15	1	1 1/2" 45 DEGREE ELBOW					
16	1	1 1/2" 90 DEGREE LONG TURN ELBOW					
17	1	1 1/2" 90 DEGREE LONG TURN STREET ELBOW					
23	1	OUTSIDE SHOWER					
24	1	TERMINATION VALVE					
25	1	SYSTEMS PANEL (TCC1057)					
31	1	OSB W/LAMINEX 48 x 96 x 1/2	9	x	12	0.75	SF



REV	DESCRIPTION	DATE	BY	ECN
-	INITIAL RELEASE	12/15/11	ZAW	8308
1	REVISED SYSTEM BOX	01/30/12	VJK	8431
2	ADD 31S HA/WA TO PRINT USAGE	06/30/14	MJK	10493
3	ADDED NOTE ABOUT OUTSIDE SHOWER	7/15/14	WH	10493

SPECIAL NOTES:
 1. SLOPE DRAIN LINES 1/8" PER FOOT (MIN)

THOR MOTOR COACH

DRAWN BY: ZAW SHEET 1 OF 1 DATE 12/15/11

DESCRIPTION: LAYOUT, TERMINATION

MODEL: ACE 30.1, 31S HA/WA

© CONFIDENTIAL AND PROPRIETARY INFORMATION OF THOR MOTOR COACH. ANY REPRODUCTION IN PART OR AS A WHOLE WITHOUT OUR EXPRESSED WRITTEN CONSENT IS PROHIBITED.

DRAWING NUMBER: TDW0072 REVISION: 3